



DO IT YOURSELF
Birdhouse

Skill Level



Estimated Cost

\$40

Time



2 Hours

Download PDF





Bluebird House

Bluebirds will not nest in just any birdhouse. The right birdhouse will need to provide a good, safe shelter for a brooding adult and its nestlings. It also needs to be the proper size for bluebirds while discouraging unwanted residents.

Here are the specifications needed for a proper bluebird house:

- **Entrance Hole:** 1.5 inches (1.56 inches for mountain bluebirds)
- **Entrance Height:** 6 to 10 inches above the house floor
- **Interior Floor Space:** 5-by-5 inches (for 5-8 chicks)
- **Total Height:** 8 to 12 inches (back slightly higher to shed water)
- **Nest box height:** 4–6 feet
- **Minimum spacing:** 300 feet
- **Facing:** South, southeast

Building a bluebird house is only one part of the equation. The other part is mounting the nest box and location.

There are many ways to mount a bluebird nest box. For example, mount it on a pole or hang it in a tree. Be sure to place the box so that you can easily monitor it regularly.

Nestboxes can be installed at any time of the year. In the fall, the bluebirds will locate potential nest sites for the coming year, and during the winter, they are often used as roost boxes by woodpeckers. In the spring and summer, bluebirds will use the boxes for nesting from late March to the beginning of August. Wearing gloves and a mask to remove the old nest and clean out the box after each brood.



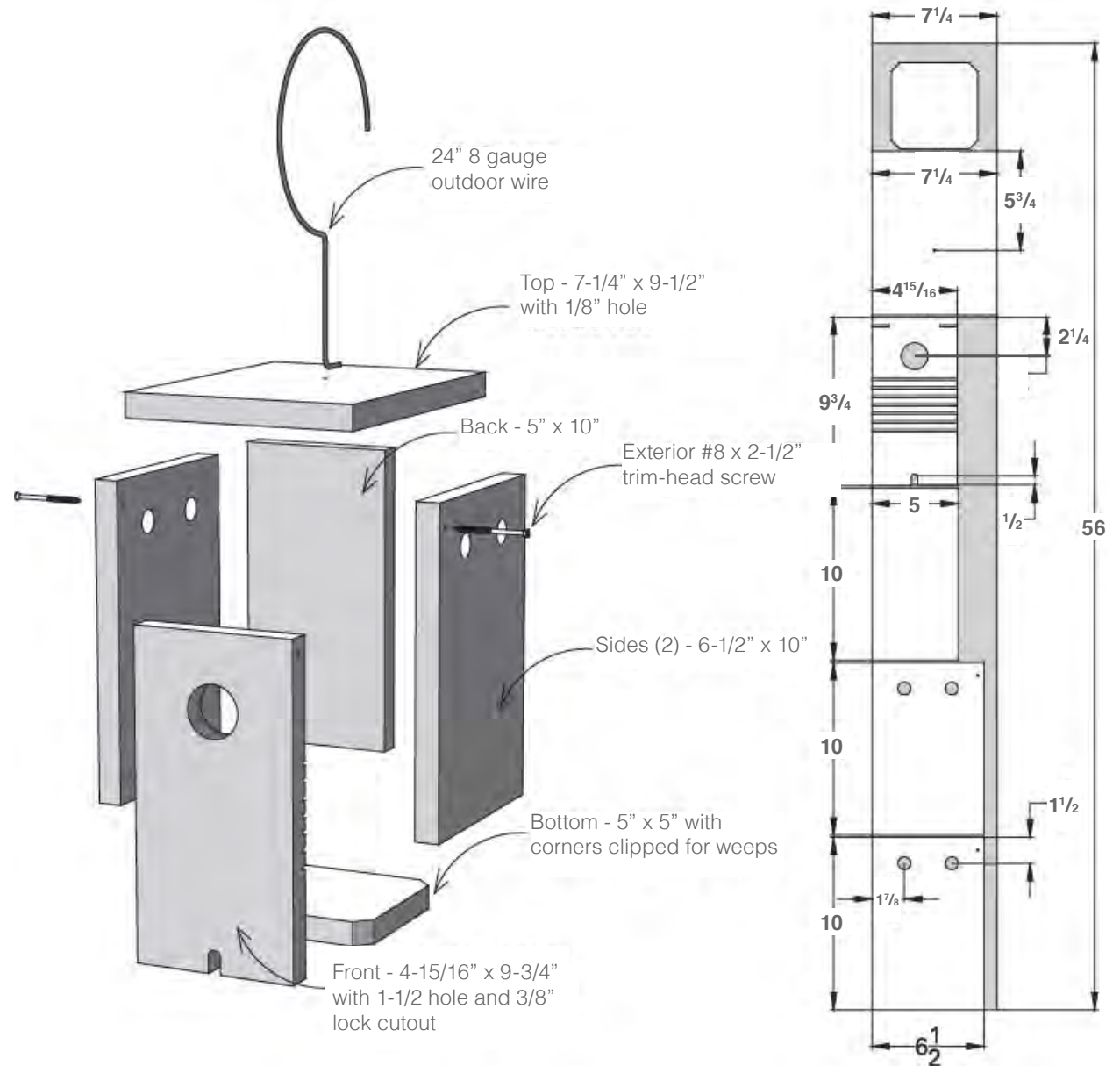
Drawing - Layout

Tools

- Hearing Protection
- Safety Glasses
- Drill Bits
- Power Miter Saw
- Drill/Driver
- Table Saw or Circular Saw
- Tape Measure

Materials

- 1x8x56" PVC
- 24"-8 Gauge wire
- #8 x 2-1/2" exterior trim head screws
- #8 x 3/4" lath Screws
- #110 x 1-13/16" Square bend hook



Step 1: Cut Board Parts

1.1 – Layout

Using the drawing provided, layout the parts. Remember to allow for the saw kerf (about 1/8”).

1.2 – Crosscut

Crosscut the parts to the appropriate lengths. We used a power miter saw, but a handsaw will work as well.

1.3 – Rip

Rip the individual parts to the proper width on a table saw.

1.3 – Drill

Drill all holes and slot cutout prior to the assembly process.

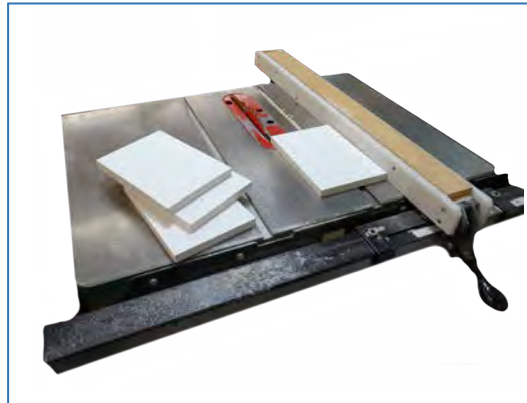
Layout



Crosscut



Rip



Drill



Step 2: Assembly

1.1 – Assemble Back

PVC Glue the back to the sides and clamp for 5 to 10 minutes

1.2 – Attach Bottom

The Bottom will be offset 1/8" from the edge of the sides and back. Use the same gluing technique to assemble.

1.3 – Install Hanger

Pre-bend the wire to the shape in the drawing (a quart can will help establish the radius) insert through the predrilled hole and bend a 1/4" radius on the end.

Drill a 1/4" deep hole where the wire terminates. Insert the radius portion for the wire and lock with (3) screws (5/8" washer Head)

Assemble Back



Attach Bottom



Install Hanger



Step 3: Assembly

3.1 – Attach Top –

PVC Glue the top to the assembly, leaving a 3/8" overhang on the sides and back of the house.

3.2 – Cut Score Lines

Cut 1/8" deep saw kerfs 1/2" below the hole. Space them 1/8" apart and cut seven total.

1.3 – Install Door

Use a 5" space inside the house to support the door during attachment. Spacers for the sides (plastic cards) will ensure the gap between the door and sides will be maintained.

With spacers clamped in position, use the 2-1/2" trim head screws to secure the door and act as hinges.

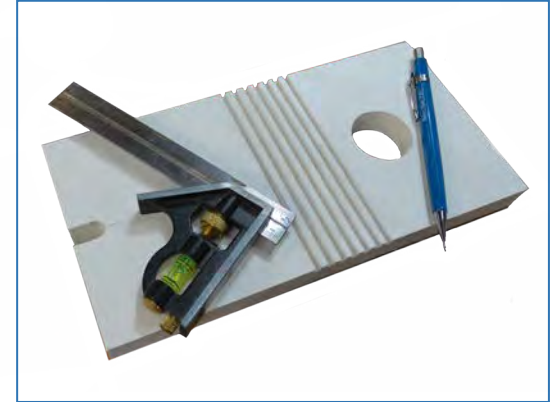
1.4 – insert Door Lock

Drill a pilot hole and screw the I-hook into the bottom of the birdhouse. This will hold the door closed, but easily unlock to remove old nests.

Attach Top



Score Lines



Install Hanger



Insert Door Lock



Step 4: Assembly

4.1 – Hanger Lock

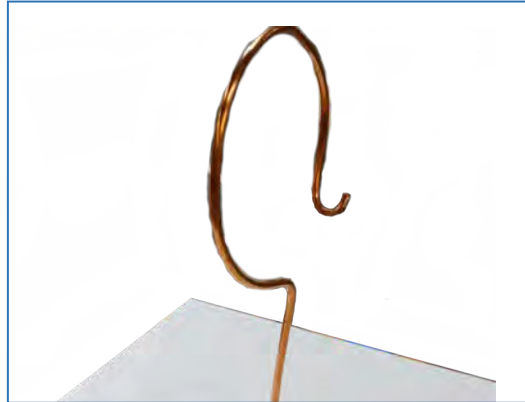
Place a sharp twist on the end of the hanging wire.

4.2 – Lock into Position

After hanging the birdhouse, lock the hanger to confirm stability.

The nesting boxes should be hung 4' to 6' off the ground, facing South/Southwest and have at least 300' between boxes.

Attach Top



Score Lines





 **ROYAL**® Building Products
A Westlake Company

RoyalBuildingProducts.com

1.855.ROYAL85